

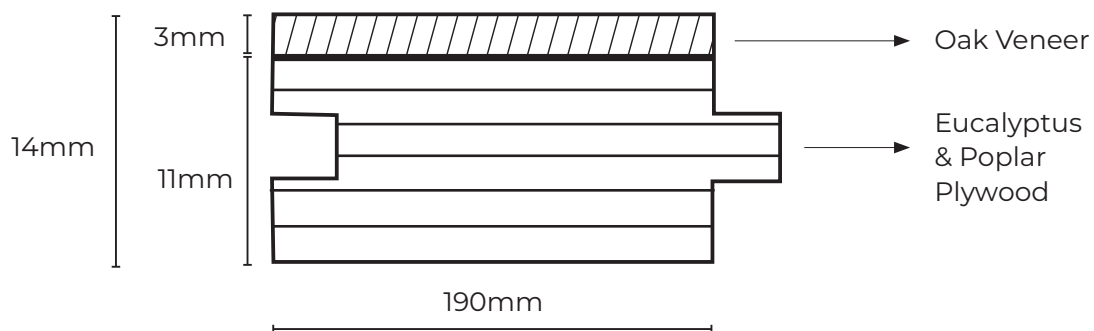


EVERGREEN FLOORS®

SPECIFICATION SHEET ELWOOD

- **Description:** Oak Engineered Flooring, Multiply, 1- Strip
- **Structure:** European Oak Veneer + Eucalyptus & Poplar Plywood
- **Dimension:** 1900 x 190 x 14/3 mm
- **Profile:** T&G
- **Grade:** BCD
- **MC:** 8 +/-2%
- **Gloss:** 8-15 points (Smoked Grey: 3-8 Points)
- **Packing:** 8 pieces per box(2.888m²), 45 boxes per pallet (129.96m²); 54 boxes per pallet (155.952m²)
- **Tolerance:** Length: +/- 1.0 mm
Width: +/- 0.2 mm
Thickness: +/- 0.3 mm
Gap: ≤0.40 mm
Warping mm per metre: 0.15-1.0%

- **Structure**



- **Bevel:** 4 sides, x = 0.8 mm, y = 0.8 mm

